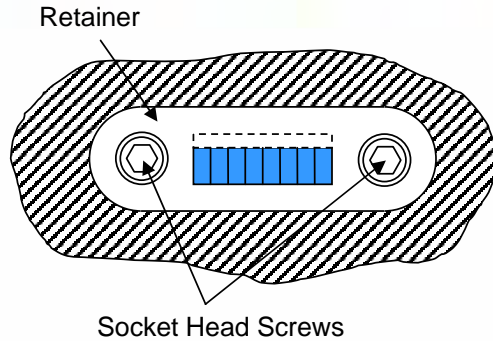


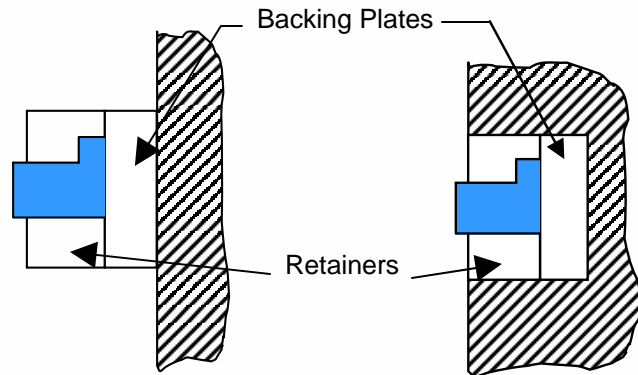
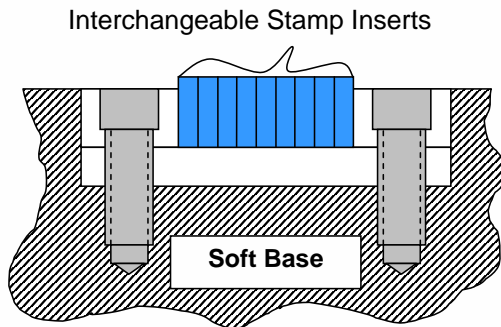
## Installation



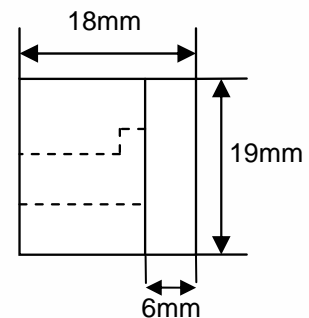
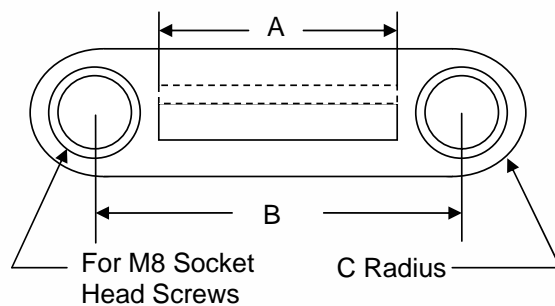
Formula For Determining Gap Width, Type Size, or Type Quantity:

Gap Width of Retainers (represented by "A" in dwgs.) ÷ Type Width \* = Quantity of Type Retainer Can Hold

\*Please note that type width is determined by desired character size



The retainer and backing plate set can be placed in a pocket or on a flat surface.



### Metric Retainers for L-Shaped Type

Retainer	A	B	C	Type Style (Holder Capacity)
CMMRN18R1900	40 mm	60 mm	9.5 mm	CMM018 (10)
CMMRN18R7810	48 mm	68 mm	9.5 mm	CMM018 (12)