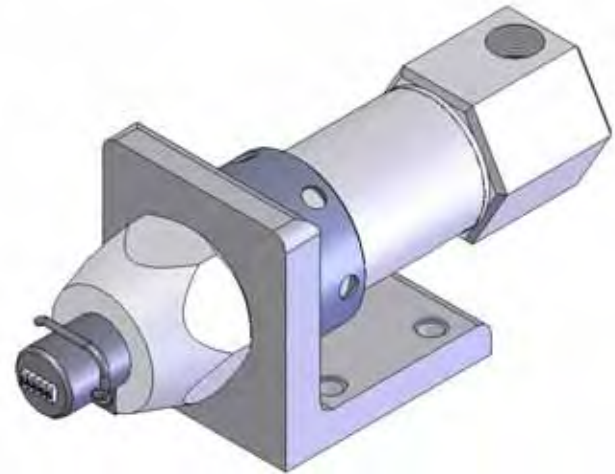


Model 98: 8 Ton Single Acting Air Impact Marker

Model 98 8-TON: The Columbia model 98 heavy duty impact marking cylinder is similar to the model 88 marker. However, the 98 delivers a much greater impact force (up to 8-TONS at 80psi) the 98 also has **patented shock absorbing bumpers** at both ends of the stroke to prevent damage to the marker when bottoming out on the forward stroke and reducing the shock on return stroke. The rod has a spring return action while an efficient pressure venting system allows an instantaneous return stroke. Model 98 air impact markers have a keyed non-rotating rod and 2.5" of stroke.



- 3 Mounting styles include standard angle bracket, reverse angle bracket and straight sub-plate. Special mountings provided upon request.
- 3 Standard rod styles to hold the stamps offer multi-character OA or OAS75, and single character OB

- 2 different air port locations: standard end port or side port for restricted space installations
- Standard system requires lubricated air

Model 98 How To Order

To Order: Select only the symbols that represent the marker feature that is needed. Place that symbol in the sequence as shown.

FEATURE	SYM.	EXAMPLE
98 (Angle Bracket)	98	- 98-OB-EF
98R (Reverse Bracket)	98R	
98SP (Sub Plate)	98SP	
Rod Style "A"	OA	
Rod Style "AS75"	OAS75	
Rod Style "B"	OB	
End ported end cap	E	
Side ported end cap	S	
Standard Industrial Model	F	
Light Duty	L*	

*Light Duty Drawings provided on request only

Recommended Air Hose: ½" I.D. Minimum
Recommended Air Valve: ½" 3-way or 4-way solenoid valve

Operating Pressure: 20-80psi
Max Marking Pressure: 16,000lbs (at 80psi)

Stamp Capacities Rod Style "B"
(1) Pc CM9X round insert 1/16" to 3/8" character. Multi-character insert available for smaller character sizes.



Rod Style B

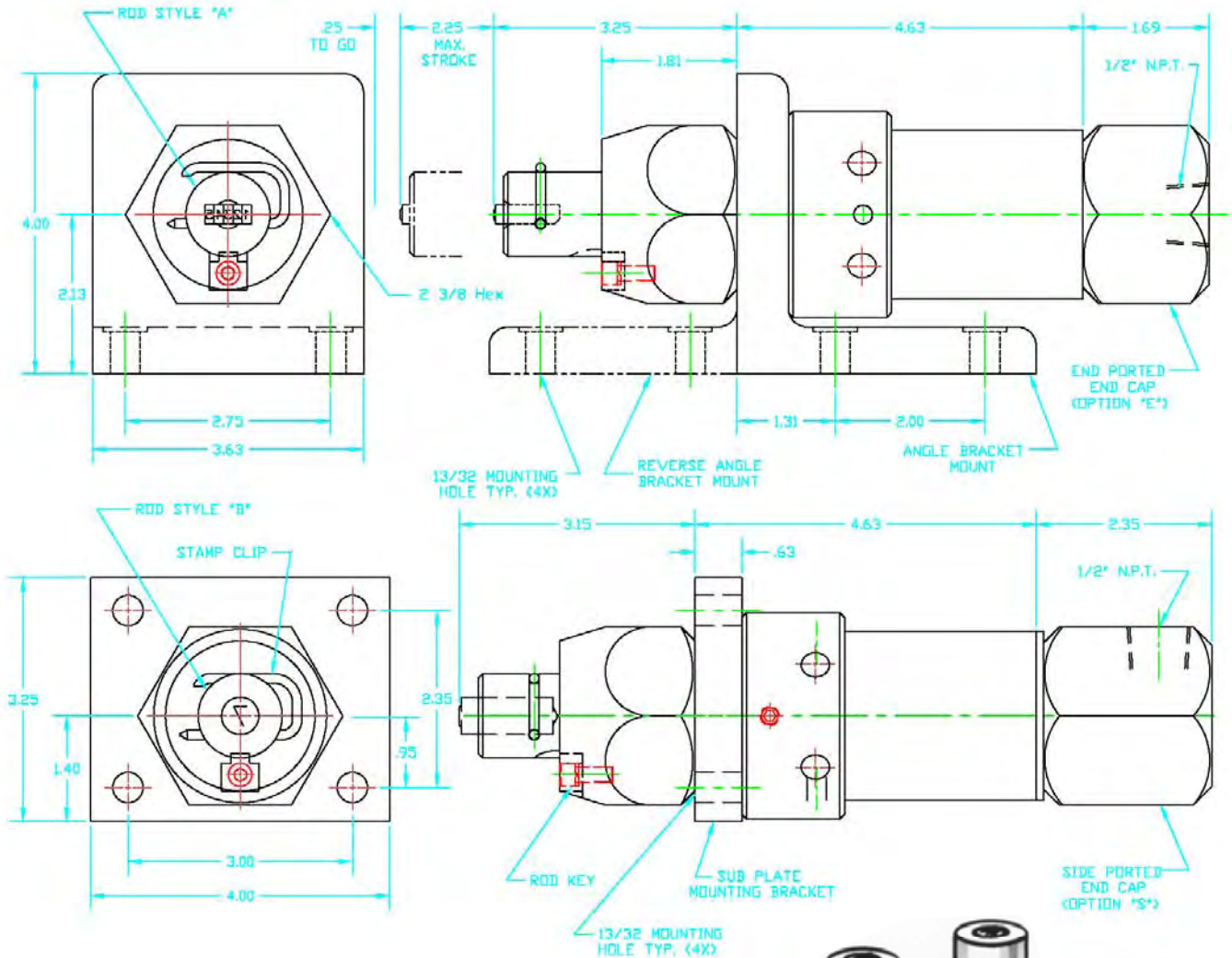
Stamp Capacities Rod Style "A"
(10) Pc's 1/16" Char. CMG06 Stamp Inserts
(5) Pc's 1/8" Char. CMG13 Stamp Inserts

Stamp Capacities Rod Style "AS75"
(12) Pc's 1/16" Char. CMG06 Stamp Inserts
(6) Pc's 1/8" Char. CMG13 Stamp Inserts



Rod Style A

Model 98 Dimensions



- Custom mounting plates available upon request – Please note that mounting plates can not be removed after purchase
- OAS style rod is similar to OA style rod, with wider 3/4" pocket
- Proper backup required for parts being marked

