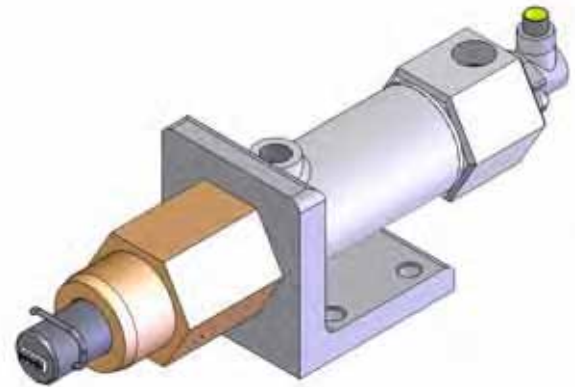


Model 298: 8 Ton Double Acting Air Impact Marker

Model 298 8-TON: The patented design of the 298 gives a marking pressure of eight tons or 16,000 lbs which results from using 2.25" stroke with 80 psi air pressure.

- 3 basic styles include Standard, Extreme Industrial, or Submersible. Standard models are great for rugged industrial marking. Extreme Industrial models are specially coated in a non-corrosive material for additional protection. Submersible units are both coated and are keyless and offer reliable marking in leak test applications.
- 3 Mounting styles include standard angle bracket, reverse angle bracket and straight sub-plate. Special mountings provided upon request.
- 3 Standard rod styles to hold the stamps offer multi-character OA or OAS75, and single character OB
- 3 different approach strokes: 2 1/2", 4" and 6"



- Integrated position sensors offer the added benefit to integrators
- Standard marker requires lubricated air. The NL non-lube version is required for "dry" air.

Model 298 How To Order

To Order: Select only the symbols that represent the marker feature that is needed. Place that symbol in the sequence as shown.

FEATURE	SYM.	EXAMPLE
298 Standard	298	298SP-OB-40-D
298R (reverse angle bracket)	298R	
298SP (sub plate)	298SP	
Standard	-	
Complete submersion	SUBU	
Dirty Environment	SUBK	
Rod Style "A"	OA	
Rod Style "AS75"	OAS75	
Rod Style "B"	OB	
Stroke 2.5"	25	
Stroke 4.0"	40	
Stroke 6.0"	60	
End ported end cap	E	
Side ported end cap	S	
24VDC Position Sensor	D	
110VAC Position Sensor	P	
Non-Lube* (if required)	NL	

*Permanently lubricated marker for low maintenance requirements

D= 24V DC, PNP sourcing Euro connector

P= 110v, Mini connector

Recommended Air Hose: 1/2" I.D. minimum
Recommended Air Valve: 1/2" 4-way solenoid valve
Operating Pressure: 20 to 80psi

Max. Marking Pressure:
 16000lbs (at 80psi)

Stamp Capacity Rod Style "B"
 (1) Pc CM9X round insert 1/16" to 3/8" character. Multi-character insert available for smaller character sizes.



Rod Style B

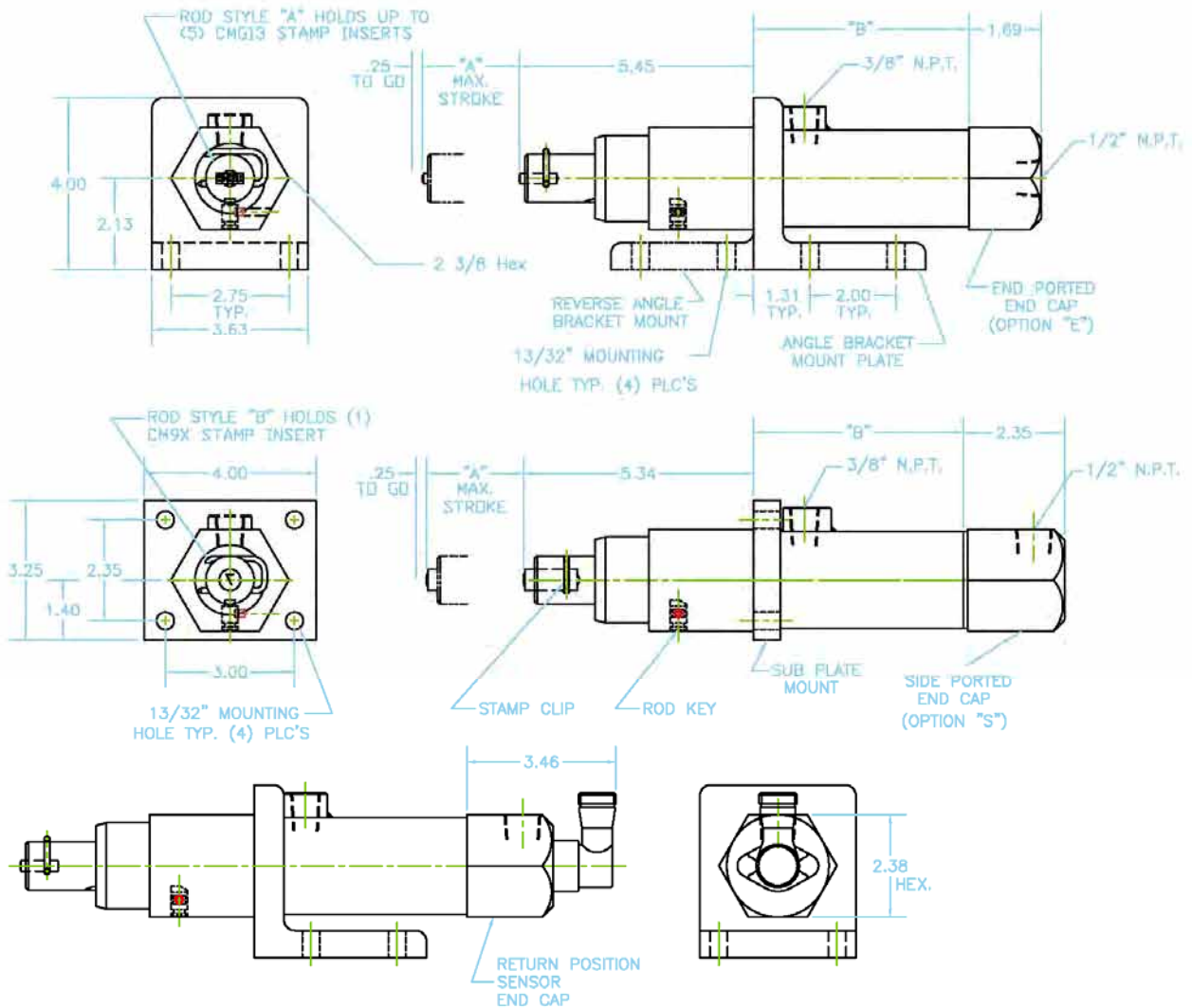
Stamp Capacities Rod Style "A"
 (10) Pc's 1/16" Char. CMG06 Stamp Inserts
 (5) Pc's 1/8" Char. CMG13 Stamp Inserts



Rod Style A

Stamp Capacities Rod Style "AS75"
 (12) Pc's 1/16" Char. CMG06 Stamp Inserts
 (6) Pc's 1/8" Char. CMG13 Stamp Inserts

Model 298 Dimensions



- Custom mounting plates available upon request – Please note that mounting plates can not be removed after purchase
- OAS style rod is similar to OA style rod, but has 3/4" wide pocket
- Proper backup required for parts being marked

Stroke Options	Dim A	Dim B
2 1/2"	2.25	4.88
4"	3.75	6.38
6"	5.75	8.38

