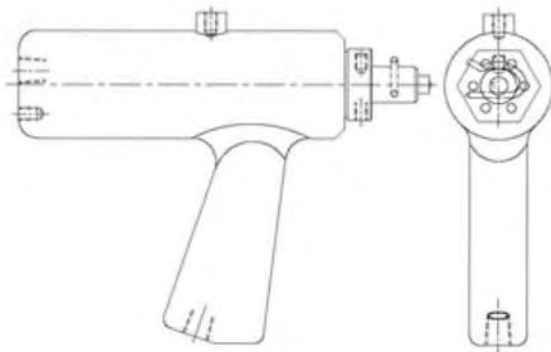


## Air Hammer

### Columbia's Air hammers:

- Use low cost CM8X round hammer inserts or CMG rectangular type
- Indents up to 1/4" characters in tool steel
- Compact, light-weight (2 1/2lbs)
- Requires only a 3/8" air hose for operation
- Only two moving parts assures long trouble-free operation

Dimensions: 8.6" x 6.5" x 2.5"



75 Standard Power Range	75AT
85 High Power Range	85AT
Rod Style B (round insert)	OB
Rod Style A (CMG type)	OA
Rod Style AS38 (CMG type)	OAS38

**Recommended Air Hose:** 3/8" I.D. min  
**Operating Pressure:** 20 to 80psi  
**Max. Marking Pressure:** Model 75AT is 1500lbs (at 80psi), Model 85AT is 2500lbs (at 80psi)

**Stamp Capacities Rod Style "B"**

(1) Pc CM8X round insert

**Stamp Capacities Rod Style "A"**

(4) Pc's 1/16 Char. (CMG06 Stamp Inserts)

(2) Pc's 1/8 Char. (CMG13 Stamp Inserts)

**Stamp Capacities Rod Style "AS38"**

(6) Pc's 1/16 Char. (CMG06 Stamp Inserts)

(3) Pc's 1/8 Char. (CMG13 Stamp Inserts)

75FRL is for use with model 75, 85, and 95 hand held air hammers



075FRL	FRL with no hose
075FRL15	FRL with 15 feet hose
075FRL20	FRL with 20 feet hose
075FRL25	FRL with 25 feet hose